

# RSF1111BK21R2K1 1U KB drawer installation manual



## Included in this package

(1) RSF1111 Keyboard  
Drawer ❶

(2) Center Ear L Bracket ❷

(2) Center / Rear Mount Extension  
Bracket ❸

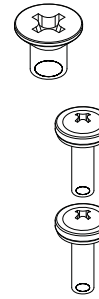
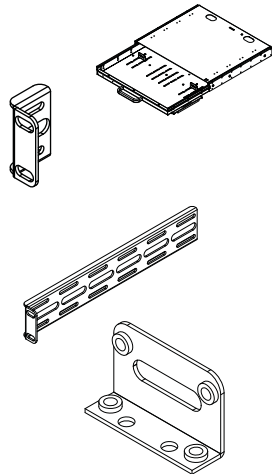
(2) Anchor Bracket w/ (4) M4  
Screw.

(12) M4 x 6 Flat Head Screw

(8) #10-32 x 5/8 Rack Screw

(8) #12-24 x 5/8 Rack Screw

(1) Cable Strap.



## Installation Steps

1. Place RSF1111 on a flat surface. Align Center Ear L bracket to center section of the shelf on right side. Secure Ear bracket to shelf with (2) Flat head M4 screw. (Figure 1) . Follow the same step for the left hand side also.

2. Place RSF1111 in between your 2 post rack. Align the oblong holes on the Center Ear bracket with rack screw holes on the rack. Secure Center Ear bracket to rack with correct size rack screws (either 10-32 or 12-24) for right and left hand side ear brackets. (2 person is recommended for this part of installation) (Figure 2.)

3. Place Rear mount extension bracket with "L" shape side facing your 2 post rack. (Figure 3)

4. Align oblong slots on the bracket with screw holes on the shelf. Secure rear mount bracket with 2 to 4 M4 screws. ( Figure 4)

5. Finally secure Rear-mount Ear bracket to rack with correct size rack screw (either 10-32 or 12-24) for right and left hand side ear bracket. (Figure 5)

6. Final inspection to make sure all mounting screws are secured. (Installation complete)

Figure 1

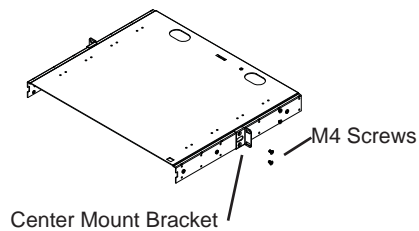


Figure 2

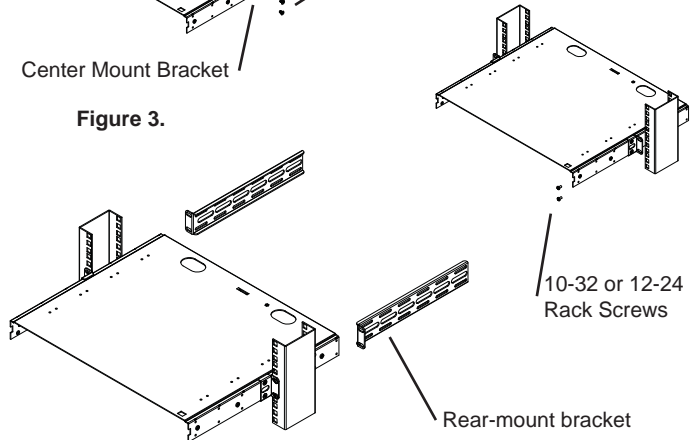


Figure 3.

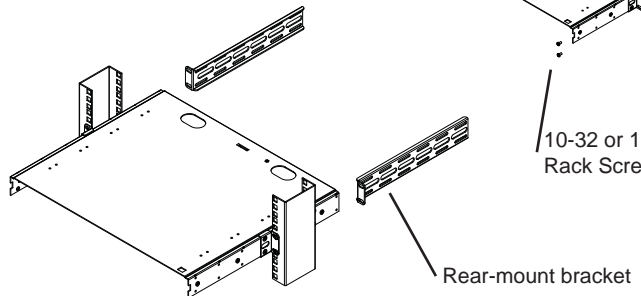


Figure 4

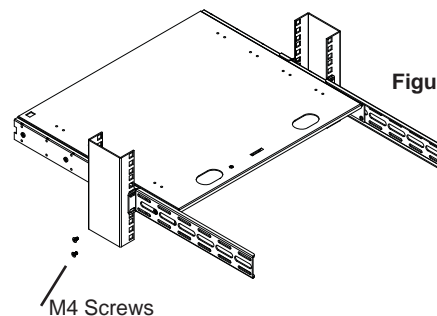
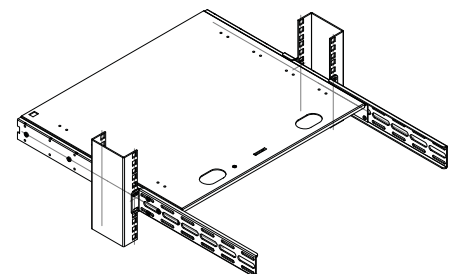
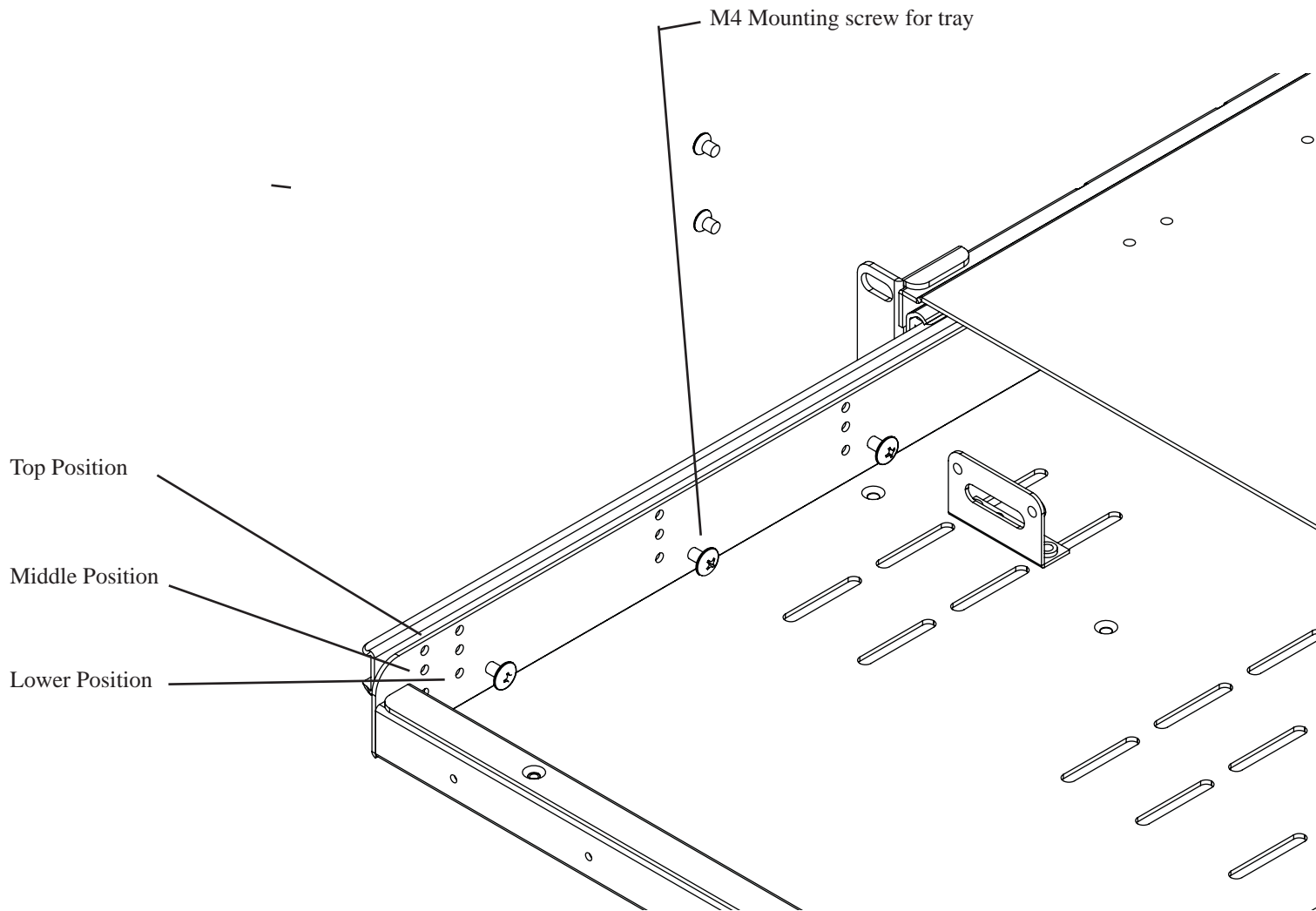


Figure 5.





Change your keyboard tray position for type of keyboard you want to use. The default position is for ultra compact keyboard. If you choose to use lower position setting, you might need to remove your mouse pad tray option in order to fit into 1U space. If you have 2U space available, you can keep the mouse pad tray at lower position setting.

To change keyboard tray position, you need remove (6) M4 screws on the side wall in the keyboard tray.

You can shift up or shift down your keyboard tray from the rail. Adjust according to height of your keyboard.

Secure all (6) M4 screw to lock keyboard tray in place.

Installation complete.